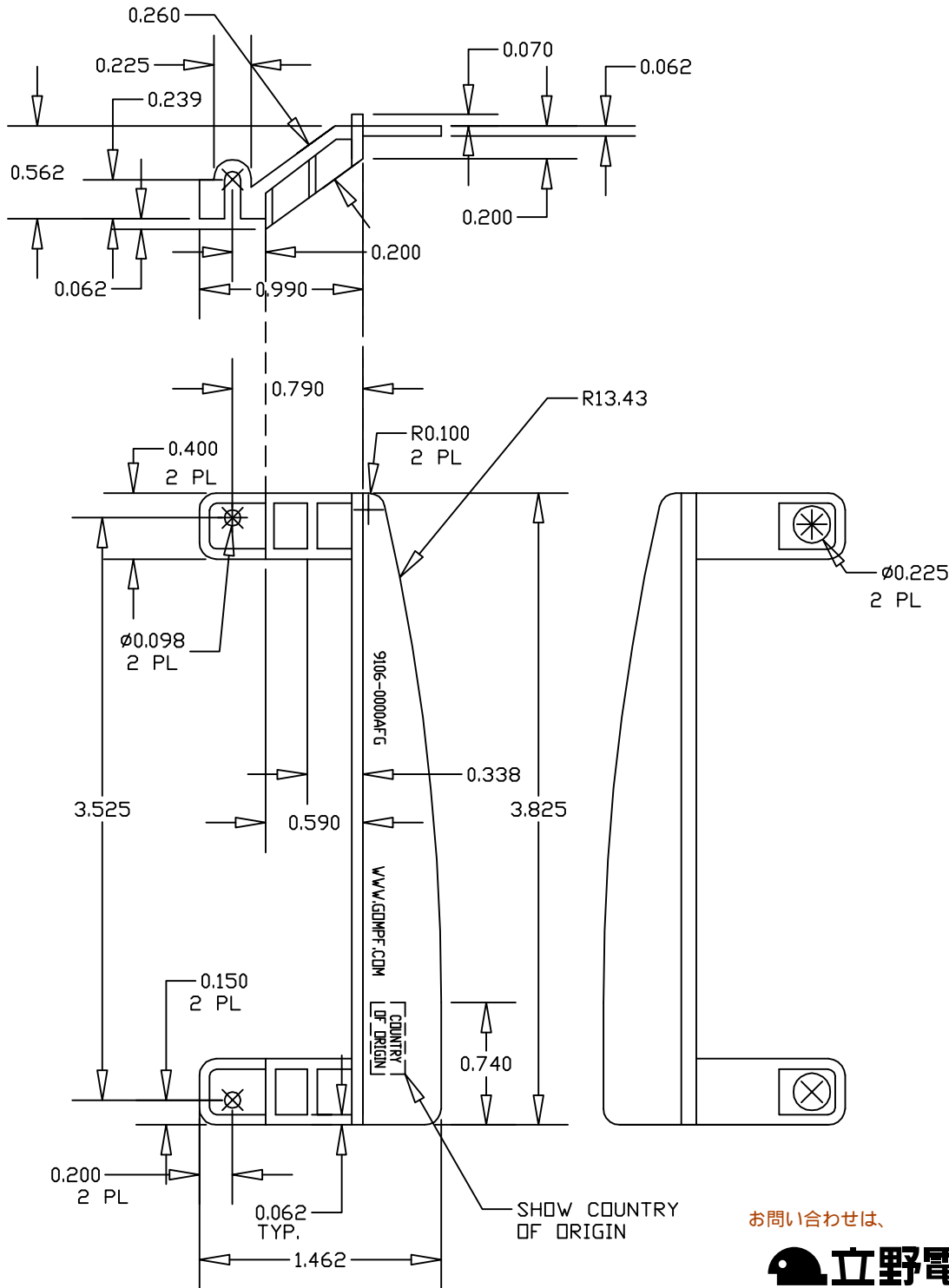


REVISIONS		
Rev#	DESCRIPTION	DATE
00	ORIGINAL	6/28/00
A	CHANGED REV LEVEL TO A	8/1/00

ENGINEERING CHANGE ORDER		
Item#	DESCRIPTION	DATE
00	ORIGINAL	6/26/97
01	REMOVED "WA" FROM P/N JULY 97 PER U.S. CUSTOMS	5/20/98
02	CHANGE SPEC $\phi 0.098$ TO $\phi 0.093$	10/7/98
03	CHANGED TEXT "GOMPf 98027" TO "WWW.GOMPf.COM", UPDATED CUSTOMER PART NUMBER	10/13/99
04	CHANGE SPEC $\phi 0.093$ TO $\phi 0.098$	11/17/99
05	ADDED COUNTRY OF ORIGIN	6/28/00

**Gompf**

GOMPf BRACKETS, INC.  
 1410 19th AVE. S.E.  
 Issaquah, WA.  
 98027-8923  
 Phone: (425)391-0495  
 Fax: (425)391-0496



**COPYRIGHT PROTECTED**

DWG. NO. 9106-0000AFG

MATERIAL: BLACK UL94V-0 WITH 10% FIBERGLASS

FINISH: BLACK

TOLERANCES:  
 STD.TOLS.  $\pm 0.010$   
 RAD.TOLS.  $\pm 0.010$   
 HOLE TOLS.  $\pm 0.005$   
 MAT.TOLS.  $\pm 0.002$

SCALE: 1:1

DATE: 8/1/00

REV. A

CHECKED:

APPROVALS:

DRAWN BY: BF/VW

お問い合わせは、

**立野電腦** EXT営業部  
 E-mail: sales@dsp-tdi.com

〒198-0063 東京都青梅市梅郷5-955 TEL.0428-77-7000 FAX.0428-77-7010

URL <http://www.dsp-tdi.com/>

# Gompf

GOMPf BRACKETS, INC.  
WWW.BRACKET.COM  
sales@bracket.com  
Phone: (425) 391-0495  
Fax: (425) 391-0496

**COPYRIGHT PROTECTED**

DWG. NO. 6089-3512

MATERIAL:  
ZINC

FINISH:  
BRIGHT NICKLE

TOLERANCES:  
STD. TOLS. +0.010  
RAD. TOLS. +0.010  
HOLE TOLS. +0.005  
MAT. TOLS. +0.002

SCALE: NOT TO SCALE

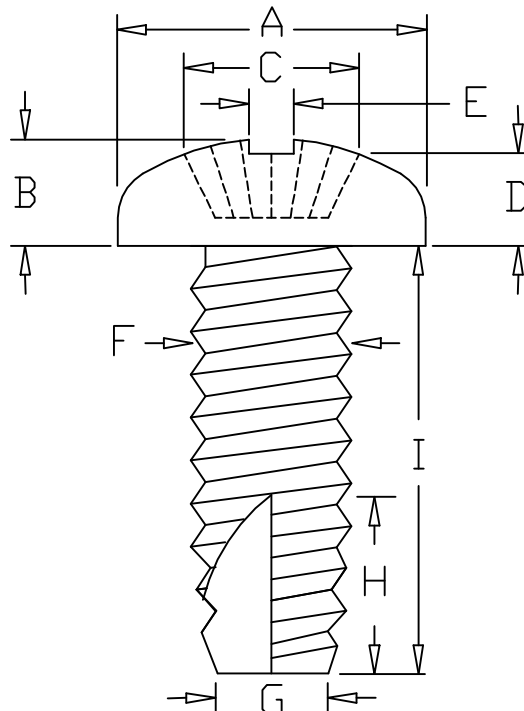
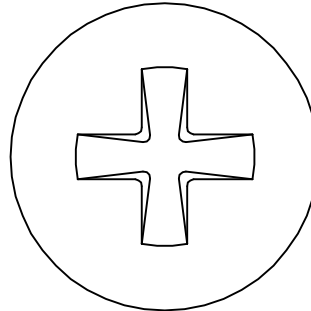
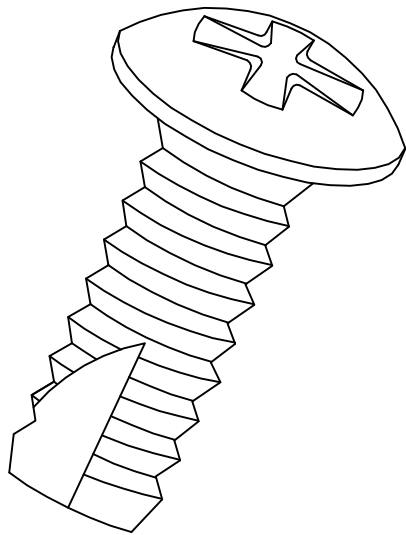
DATE: 7-16-96

REV. 0

ISSUED:

APPROVALS:

DRAWN BY: DJB



A: 0.212"  
B: 0.060"  
C: 0.116"  
D: 0.078"  
E: 0.019"  
F: 0.109"  
G: 0.083"  
H: 0.100"  
I: 0.300"

お問い合わせは、



**立野電腦** EXT営業部

E-mail: sales@dsp-tdi.com

〒198-0063 東京都青梅市梅郷5-955 TEL.0428-77-7000 FAX.0428-77-7010

URL <http://www.dsp-tdi.com/>