

プロジェクトマネージャの方々へ：少量量産時から20万円を切る、10Gbps x 8ソケットI/F、PCIe Gen3x8 対応、40万LEのFPGA 搭載ボードです。国内で立野電脳(株)が標準在庫しており、すぐに評価可能です。ボード開発コストと期間をゼロにし、さらに量産時も多くの場合自社製造より安価で、維持費も低減できるはず。光モジュールやFiberケーブルを含め、立野電脳(株)にご相談ください。

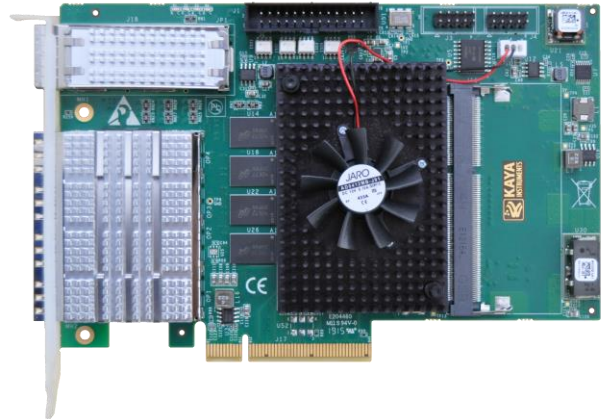


Komodo – Fiber FPGA board

Overview

Komodo-Fiber is high-performance yet low-cost FPGA card supporting four SPF+ 10GigE transceivers and a single QSFP 40GigE optical interface. The card is based on Arria V GZ powerful FPGA that offers up to 400K flexible logic elements, 1K DSP blocks and 28Mbit of embedded memory. The board offers a flexible DDR3 memory system with up to 18 Gbyte of memory and 16Gbyte/sec throughput. A high speed 8 lane Gen 3.0 PCI express interface allows fast data transfers between optical links and computer memory while a versatile GPIO with multi-standard support enables connection to external devices. The QSFP and SFP interfaces are connected directly to FPGA device transceiver channels to minimize latency.

All of these features combine make the Komodo-Fiber ideal for a wide range of applications, including network processing and security, compute and storage, instrumentation, broadcast, defense and aerospace.



Applications

- ✓ Machine Vision
- ✓ Networking
- ✓ Algorithm Acceleration
- ✓ Broadcasting and sports analytics
- ✓ High-speed DVRs

10G どうでしょう？

Optical networking is a means of communication that uses signals encoded onto light to transmit information among various nodes of a telecommunications network. They operate from the limited range of a local-area network (LAN) or over a wide-area network (WAN), which can cross metropolitan and regional areas all the way to national, international and transoceanic distances. It is a form of optical communication that relies on optical amplifiers, lasers or LEDs and wave division multiplexing (WDM) to transmit large quantities of data, generally across fiber-optic cables. Because it is capable of achieving extremely high bandwidth, it is an enabling technology for today's Internet and the communication networks that transmit the vast majority of all human and machine-to-machine information.

KAYA Instruments© Premium vision solutions

20 aMesila St., Neshar 3688520, Israel
POB 25004, Haifa 3125001, Israel
Tel:(+972)-72-2723500 Fax:(+972)-72-2723511
www.kayainstruments.com

お問い合わせは、立野電脳(株) sales@dsp-tdi.com



立野電脳 EXT営業部
E-mail : sales@dsp-tdi.com

〒198-0063 東京都青梅市梅郷5-955 TEL.0428-77-7000 FAX.0428-77-7010

URL <http://www.dsp-tdi.com/>

Features

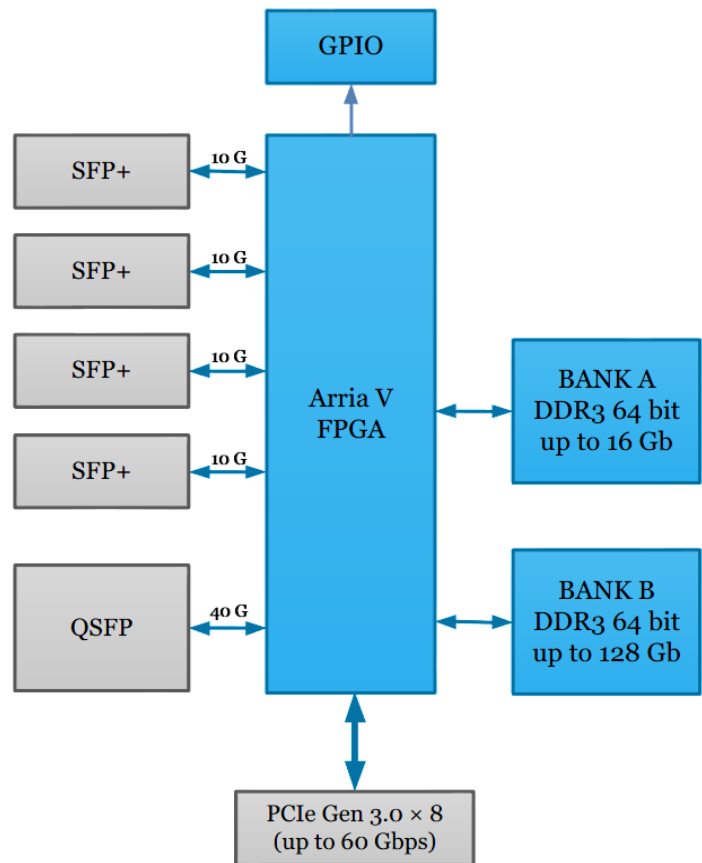
- 4 x SFP+ channels at 10Gbps each
- 1 x QSFP channel at 40Gbps
- PCIe Gen3 x8 Half-length card
- Up to 18GByte of DDR3 memory
 - Onboard 2GByte DDR3 64bit wide
 - SODDIMM of up to 16GByte
 - DDR3 1066 rate compatible
- Altera Arria V GZ FPGA with up to:
 - 400K equivalent LEs
 - 1092 DSP blocks
 - 28Mbit of embedded memory
 - Hardened IP PCIe Gen 3.0 block
- Supports Altera's PCIe IP
- Supports Ethernet IP's
- Supports Memory controller IP's
- Flexible machine I/O:
 - 4 TTL configurable I/Os
 - 4 LVCMOS configurable I/Os
 - 2 LVDS inputs
 - 2 LVDS outputs
 - 4 opto-isolated outputs
 - 4 opto-isolated inputs
 - 2 quadrature rotary encoders
 - Integrated strobe controller
- Transfer Rate of up to 60 Gbps through PCIe
- Transfer Rate of up to 80 Gbps through optical interfaces
- CWDM support
- QSFP can be expanded to 4x 10G interfaces
- Authentication device for design security
- Temperature control

- Fan control
- 4 Indication LEDs
- 0°C to 50°C operating environment temperature

Deliverables

- Komodo – Fiber card
- Hardware user manual
- Reference designs (VHDL and Verilog)
- SFP+ modules (optional)
- QSFP module (optional)
- GPIO extension panel (optional)

Komodo-Fiber Block Diagram



KAYA Instruments© Premium vision solutions

20 aMesila St., Nesher 3688520, Israel
 POB 25004, Haifa 3125001, Israel
 Tel:(+972)-72-2723500 Fax:(+972)-72-2723511
 www.kayainstruments.com

お問い合わせは、立野電脳(株) sales@dsp-tdi.com



立野電脳

EXT営業部

E-mail : sales@dsp-tdi.com

〒198-0063 東京都青梅市梅郷5-955 TEL.0428-77-7000 FAX.0428-77-7010

URL <http://www.dsp-tdi.com/>