

Product Brief:

HSMC Quad Video Daughter Card



Features

- Four Separate Video Decoder Channels With following Features for Each Channel
 - Accept NTSC (M, 4.43), PAL (B, D, G, H, I, M, N), and SECAM (B, D, G, K, K1, L)
 - Support ITU-R BT.601
 - High-Speed 9-Bit ADC on each channel
 - Two Composite Inputs or One S-video Input (for Each Channel)
 - Brightness, Contrast, Saturation, Hue, and Sharpness Control Through i2c
- Four Independent Polymorphic Scalers
- Standard Programmable Video Input Format
 - ITU-R BT.656, 8-Bit 4:2:2 With Embedded Syncs
 - 8-Bit 4:2:2 With Discrete Syncs
- DVI Transmitter up to 165M pixels/second
- TV output supporting graphics resolutions up to 1024 x768 pixels
- Support for all NTSC and PAL formats on video output
- Provides CVBS, S-Video and SCART (RGB) outputs



Applications

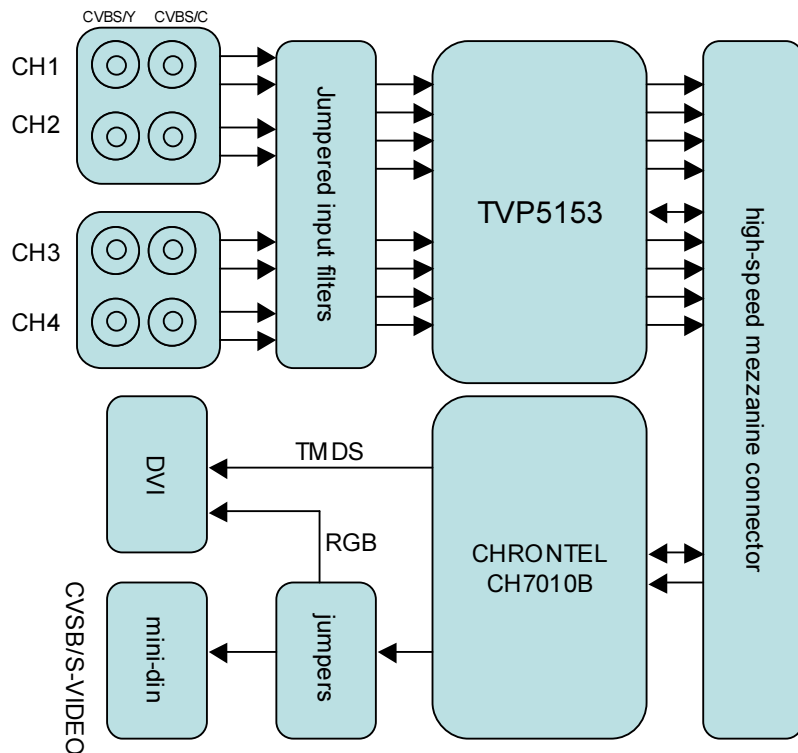
- Machine vision
- Video phone
- Remote image sensing
- Surveillance systems
- Biometrics
- Image recognition, filtering and compression
- Video streaming

Compatibility

- HSMC interface specification compliant (Cyclone III and Stratix III kits)
- Compatible with all ALTERA and third party dev kits with HSMC interface
- Example software for Quartus II 7.1 and above
- Nois II examples provided

The hsmc quad video board is based on the Texas Instruments TVP5153 quad video decoder. The analogue video inputs supported by the TVP5153 include composite video and S-video. In general, the video decoder converts the analogue video input signal into digital component data. This data and the associated clocks from the video decoder are sent to the host fpga via the hsmc connector. A pre-scaler is integrated into the device which allows real-time scaling of input video data.

CH1
CH2
CH3
CH4



This data and the associated clocks from the video decoder are sent to the host fpga via the hsmc connector. A pre-scaler is integrated into the device which allows real-time scaling of input video data.

The device is controlled using i2c from the fpga.

Video output is based on the Chrontel CH7010B device. This device enables single-link DVI, component analogue and composite analogue video outputs. The device accepts digital, parallel video data and clocking from the host fpga via the hsmc connector. The host fpga is able to configure and monitor the device over an i2c link. A DVI output connector and mini-din output connector is present on the board.

For more information www.bitec.ltd.uk